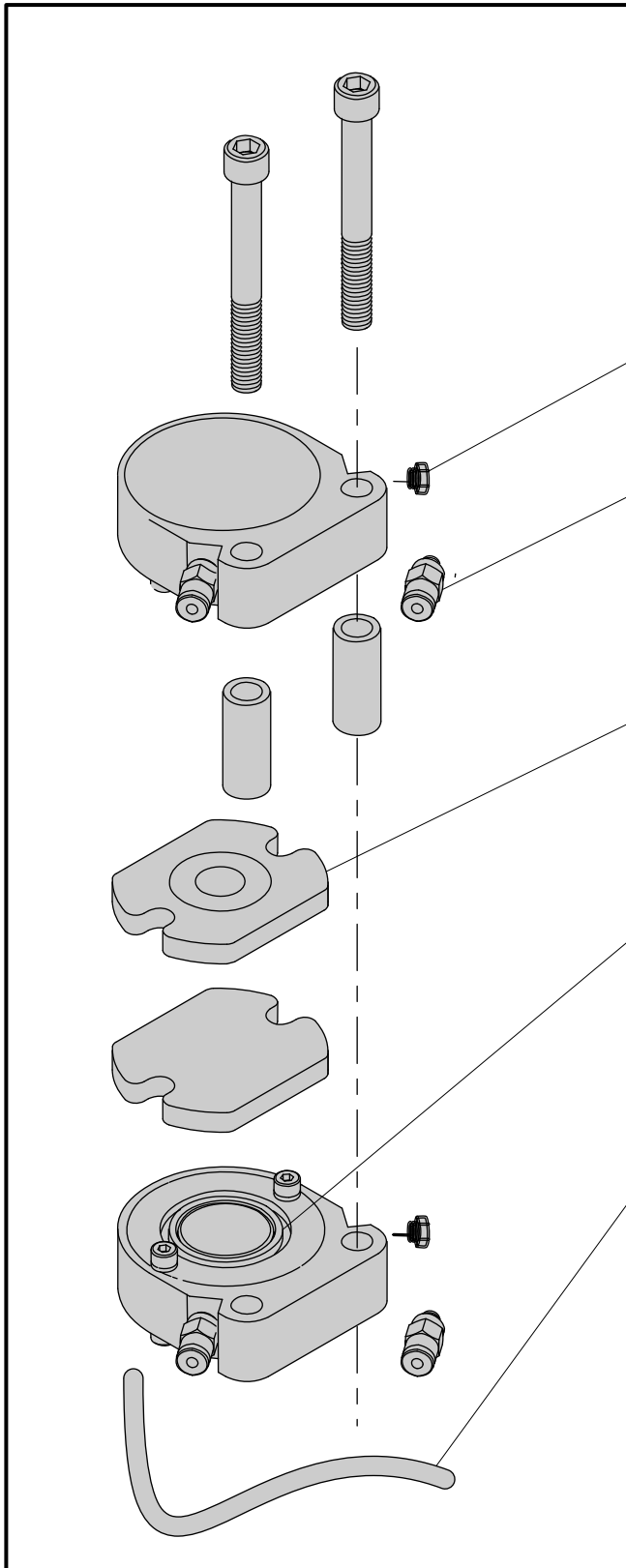


# PARTS

## CC2 Friction Module

03/01/2022-1



### CC-2 FRICTION MODULE KIT

CC Brake 10000456

### PLUG

x2 (10-32) 18000338

### QUICK DISCONNECT

x2

1/8 x 10-32 18000296

1/8 x 1/8 NPT 18000551

### FRICTION PAD

x2




### MAGNET

x2

10000265

### TUBING

1/16 TFE 20000036


 USA 1-800-226-8710 / +1-207-856-2501  
 CN +86-21-52188010  
 EU +45 75 57 27 11  
 DE +49 (0)511 760 691 41

Montalvo, 50 Hutcherson Drive, Gorham, Maine 04038 USA  
 info@montalvo.com www.montalvo.com  
 Prices and technical information subject to change without notice. © montalvo

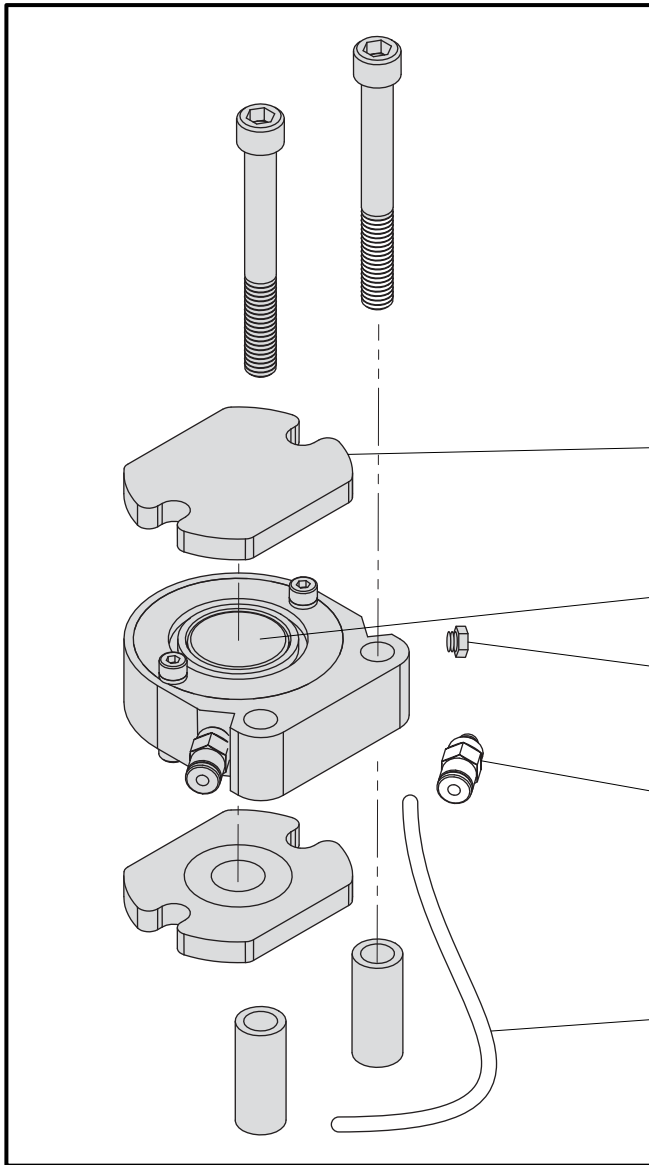
EST. 1947

**montalvo**  
 Better Web Control®

# PARTS

## CD2 Brake Friction Module

05/17/2017-1



### FRICITION MODULE KIT

CD 100	10001848
CD 100 (metric)	10002058
CD 130	10001850
CD 130 (metric)	10002077
CD 190	10001862
CD 190 (metric)	10002068

### FRICITION PAD

x2



### MAGNET

x2

10000265

### PLUG

10-32

18000338

### QUICK DISCONNECT

1/8" x 10-32

18000296

M5 x 4mm (metric)

18000674

### TUBING

1/8" TFE

20000036

4mm TFE (metric)

20000324

### QUICK DISCONNECT (supply line)

1/8" x 1/8" NPT

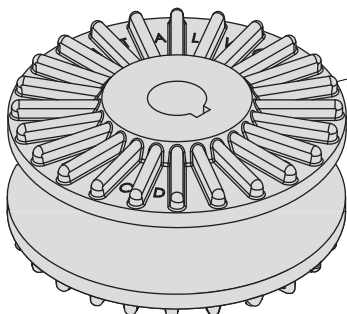
18000551

1/8" NPT x 4mm (metric)

18000882

(for upstream end of air  
SUPPLY line supplied with  
new brake)

### ROTORS



USA 1-800-226-8710 / +1-207-856-2501  
 CN +86-21-52188010  
 EU +45 75 57 27 11  
 DE +49 (0)511 760 691 41

Montalvo, 50 Hutcherson Drive, Gorham, Maine 04038 USA  
 info@montalvo.com www.montalvo.com

Prices and technical information subject to change without notice. © montalvo

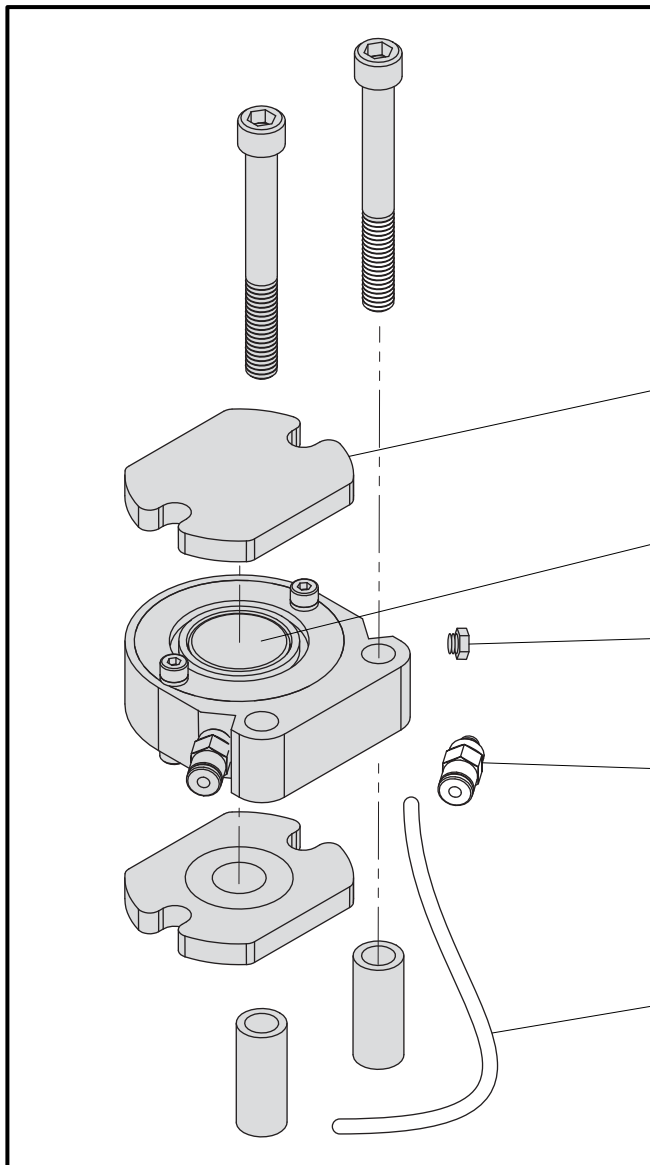
EST. 1947

**montalvo**  
 Better Web Control®

# PARTS

## CD2 Friction Module (metric)

03/01/2022-1



### CD-2 FRICTION MODULE KIT

CD 100	10002058
CD 130	10002077
CD 190	10002255

### FRICTION PAD

x2



### MAGNET

x2

10000265

### PLUG

(10-32)

18000338

### QUICK DISCONNECT

M5 x ø4mm

18000674

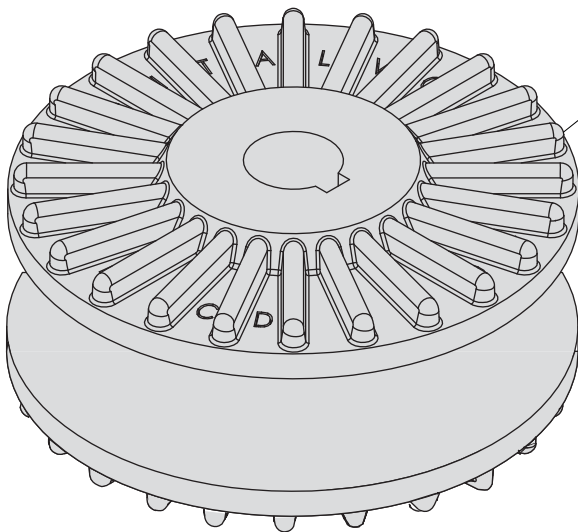
### TUBING

4mm TFE

20000324

### ROTOR

shaft Ø

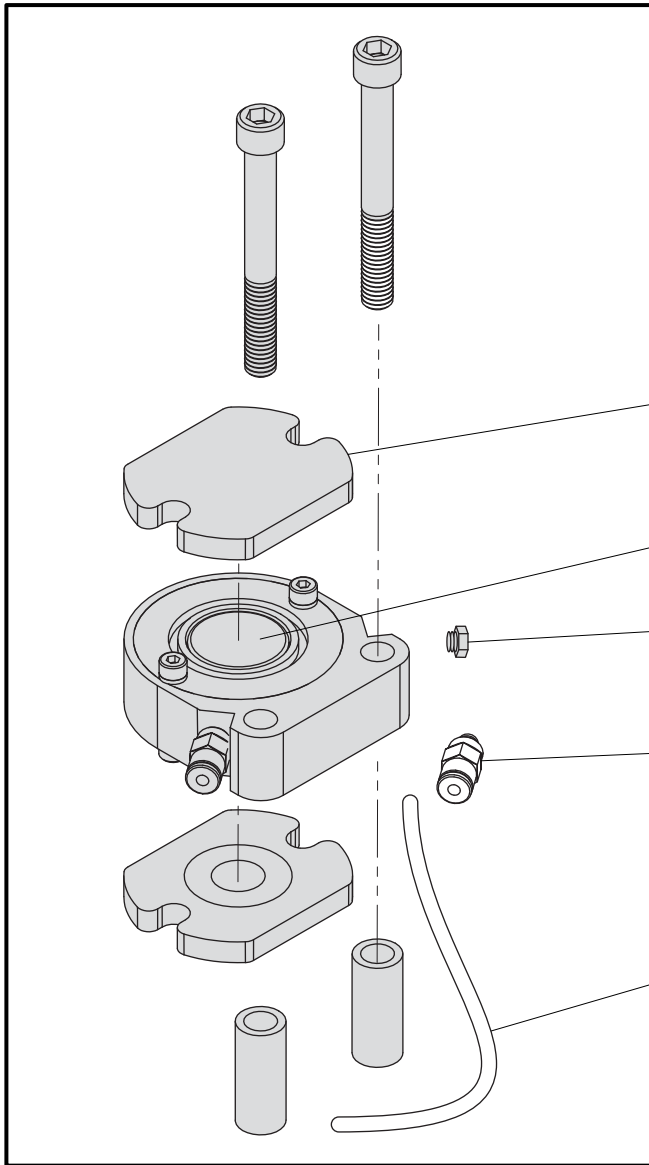


EU +45 75 57 27 11  
DE +49 (0)511 760 691 41

# PARTS

## CD2 Clutch Friction Module

05/16/2017-1



### FRICITION MODULE KIT

CD 100	10001844
CD 100 (metric)	10002371
CD 130	10001846
CD 130 (metric)	10002372

### FRICITION PAD

x2



### MAGNET

x2

10000265

### PLUG

10-32

18000338

### QUICK DISCONNECT

1/8" x 10-32

18000296

M5 x 4mm (metric)

18000674

### TUBING

1/8" TFE

20000036

4mm TFE (metric)

20000324

### QUICK DISCONNECT (supply line)

1/8" x 1/8" NPT

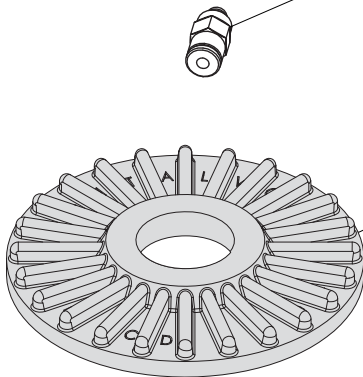
18000551

1/8" NPT x 4mm (metric)

18000882

(for upstream end of air  
SUPPLY line supplied with  
new brake)

### ROTORS



USA 1-800-226-8710 / +1-207-856-2501  
CN +86-21-52188010  
EU +45 75 57 27 11  
DE +49 (0)511 760 691 41

Montalvo, 50 Hutcherson Drive, Gorham, Maine 04038 USA  
info@montalvo.com www.montalvo.com

Prices and technical information subject to change without notice. © montalvo

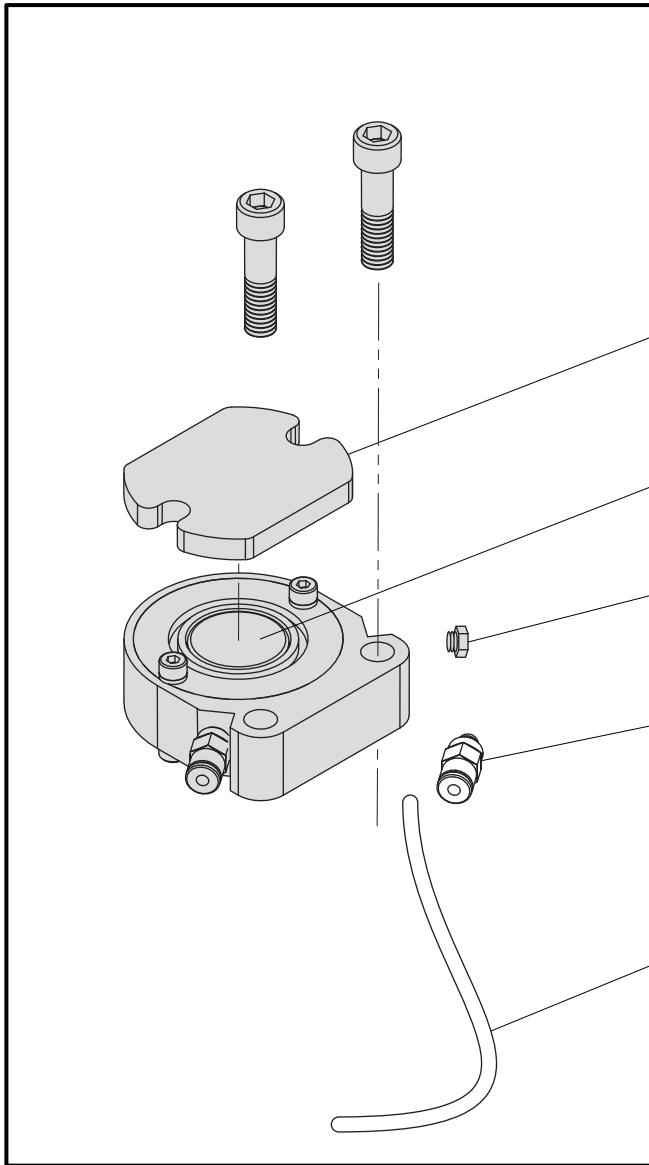
EST. 1947

**montalvo**  
Better Web Control®

# PARTS

## CS2 Friction Module

03/01/2022-1



### CS-2 FRICTION MODULE KIT

CS 100 / 130

10001860

### FRICTION PAD

x1



### MAGNET

x1

10000265

### PLUG

(10-32)

18000338

### QUICK DISCONNECT

1/8 x 10-32

18000296


1/8 x 1/8 NPT

18000551

### TUBING

1/16 TFE

20000036


 USA 1-800-226-8710 / +1-207-856-2501  
 CN +86-21-52188010  
 EU +45 75 57 27 11  
 DE +49 (0)511 760 691 41

Montalvo, 50 Hutcherson Drive, Gorham, Maine 04038 USA  
 info@montalvo.com www.montalvo.com  
 Prices and technical information subject to change without notice. © montalvo

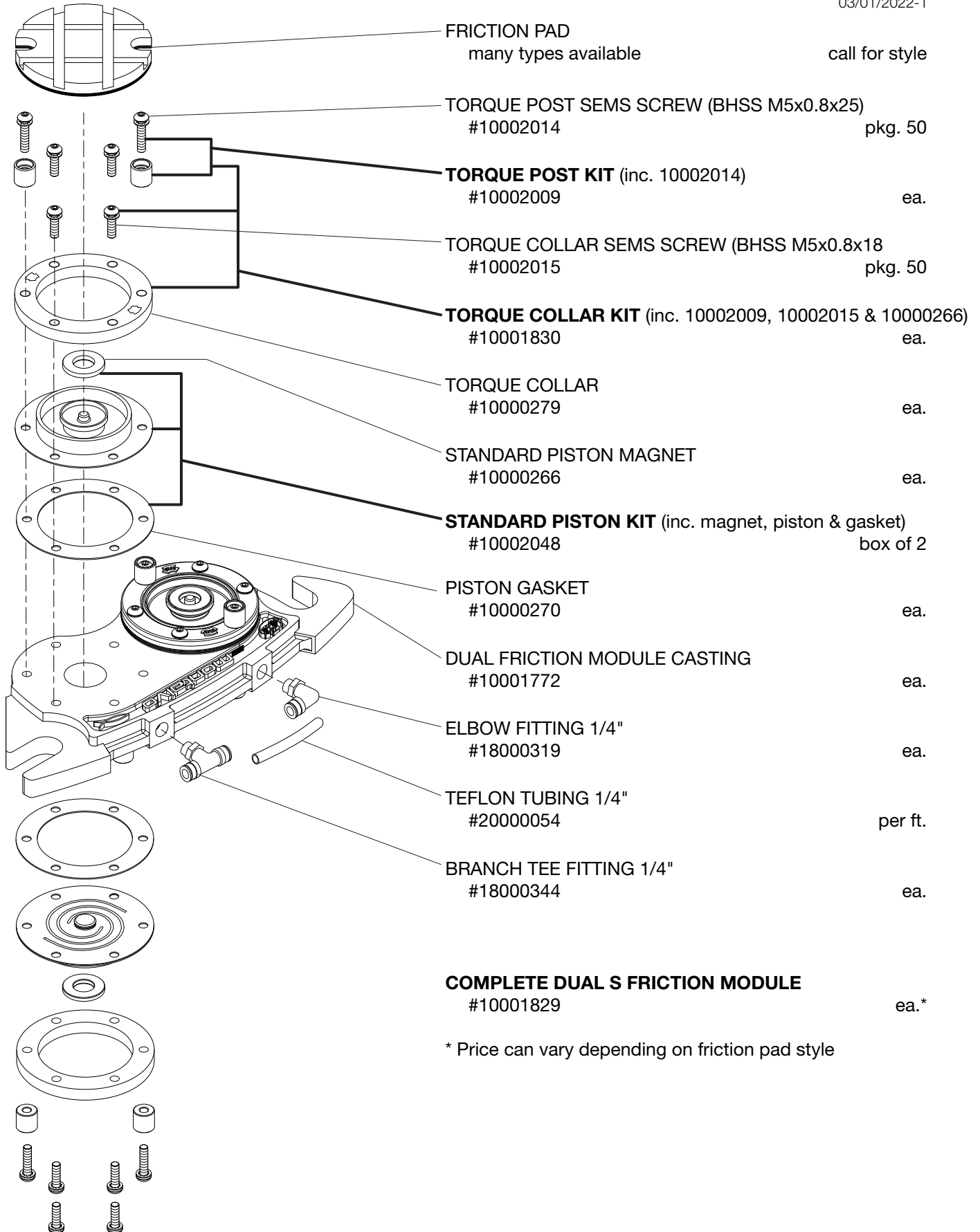
EST. 1947

**montalvo**  
*Better Web Control®*

# PARTS

## DUAL S Friction Module

03/01/2022-1



- FRICITION PAD  
many types available call for style
- TORQUE POST SEMS SCREW (BHSS M5x0.8x25)  
#10002014 pkg. 50
- TORQUE POST KIT** (inc. 10002014)  
#10002009 ea.
- TORQUE COLLAR SEMS SCREW (BHSS M5x0.8x18)  
#10002015 pkg. 50
- TORQUE COLLAR KIT** (inc. 10002009, 10002015 & 10000266)  
#10001830 ea.
- TORQUE COLLAR  
#10000279 ea.
- STANDARD PISTON MAGNET  
#10000266 ea.
- STANDARD PISTON KIT** (inc. magnet, piston & gasket)  
#10002048 box of 2
- PISTON GASKET  
#10000270 ea.
- DUAL FRICTION MODULE CASTING  
#10001772 ea.
- ELBOW FITTING 1/4"  
#18000319 ea.
- TEFLON TUBING 1/4"  
#20000054 per ft.
- BRANCH TEE FITTING 1/4"  
#18000344 ea.
- COMPLETE DUAL S FRICTION MODULE**  
#10001829 ea.\*

\* Price can vary depending on friction pad style

USA 1-800-226-8710 / +1-207-856-2501  
 CN +86-21-52188010  
 EU +45 75 57 27 11  
 DE +49 (0)511 760 691 41

Montalvo, 50 Hutcherson Drive, Gorham, Maine 04038 USA  
 info@montalvo.com www.montalvo.com  
 Prices and technical information subject to change without notice. © montalvo

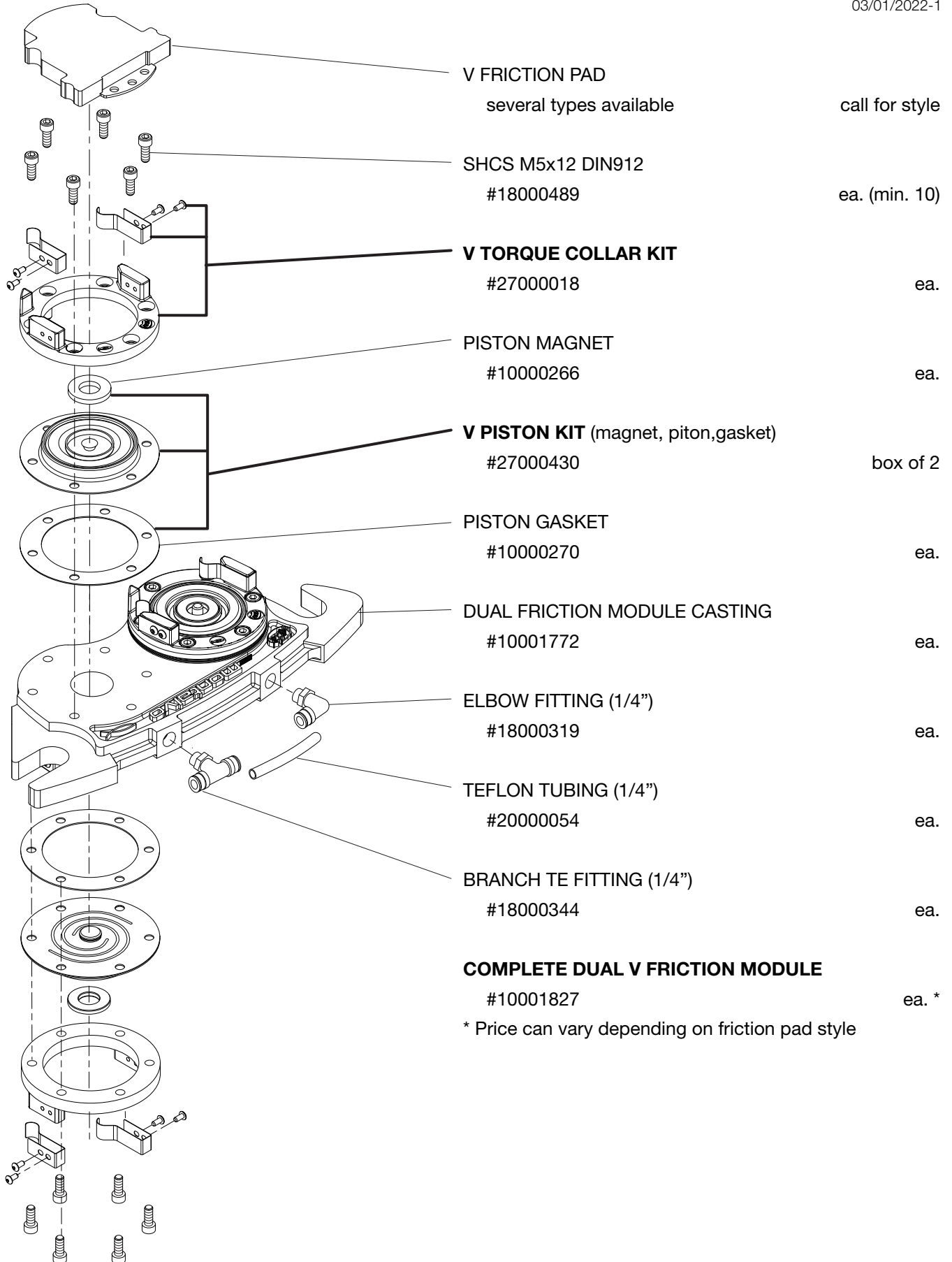
EST. 1947

**montalvo**  
Better Web Control®

# PARTS

## DUAL V Friction Module

03/01/2022-1



USA 1-800-226-8710 / +1-207-856-2501  
CN +86-21-52188010  
EU +45 75 57 27 11  
DE +49 (0)511 760 691 41

Montalvo, 50 Hutcherson Drive, Gorham, Maine 04038 USA  
info@montalvo.com www.montalvo.com  
Prices and technical information subject to change without notice. © montalvo

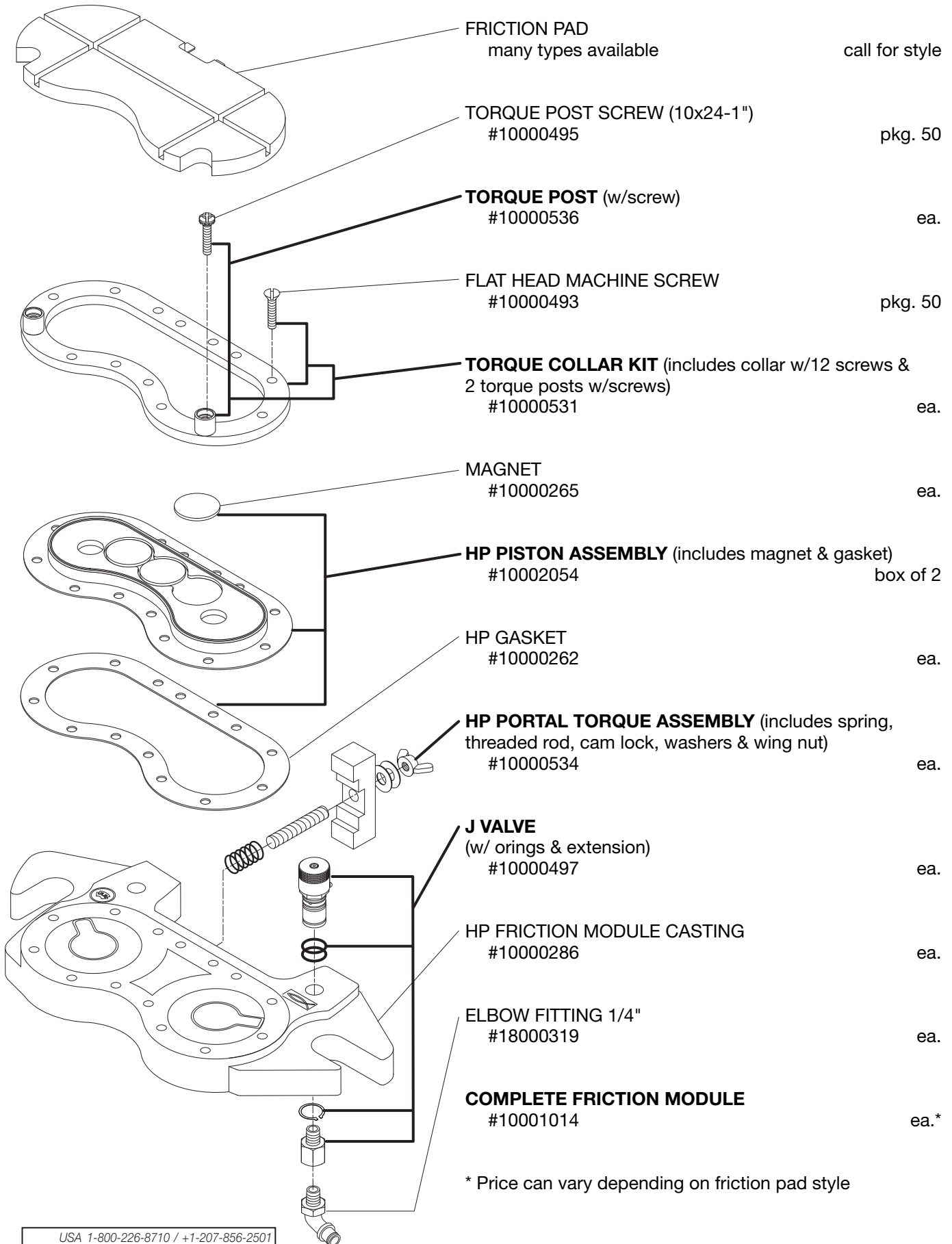
EST. 1947

**montalvo**  
Better Web Control®

# PARTS

## HP Friction Module (with J Valve)

03/01/2022-1



USA 1-800-226-8710 / +1-207-856-2501  
 CN +86-21-52188010  
 EU +45 75 57 27 11  
 DE +49 (0)511 760 691 41

Montalvo, 50 Hutcherson Drive, Gorham, Maine 04038 USA  
 info@montalvo.com www.montalvo.com  
 Prices and technical information subject to change without notice. © montalvo

EST. 1947

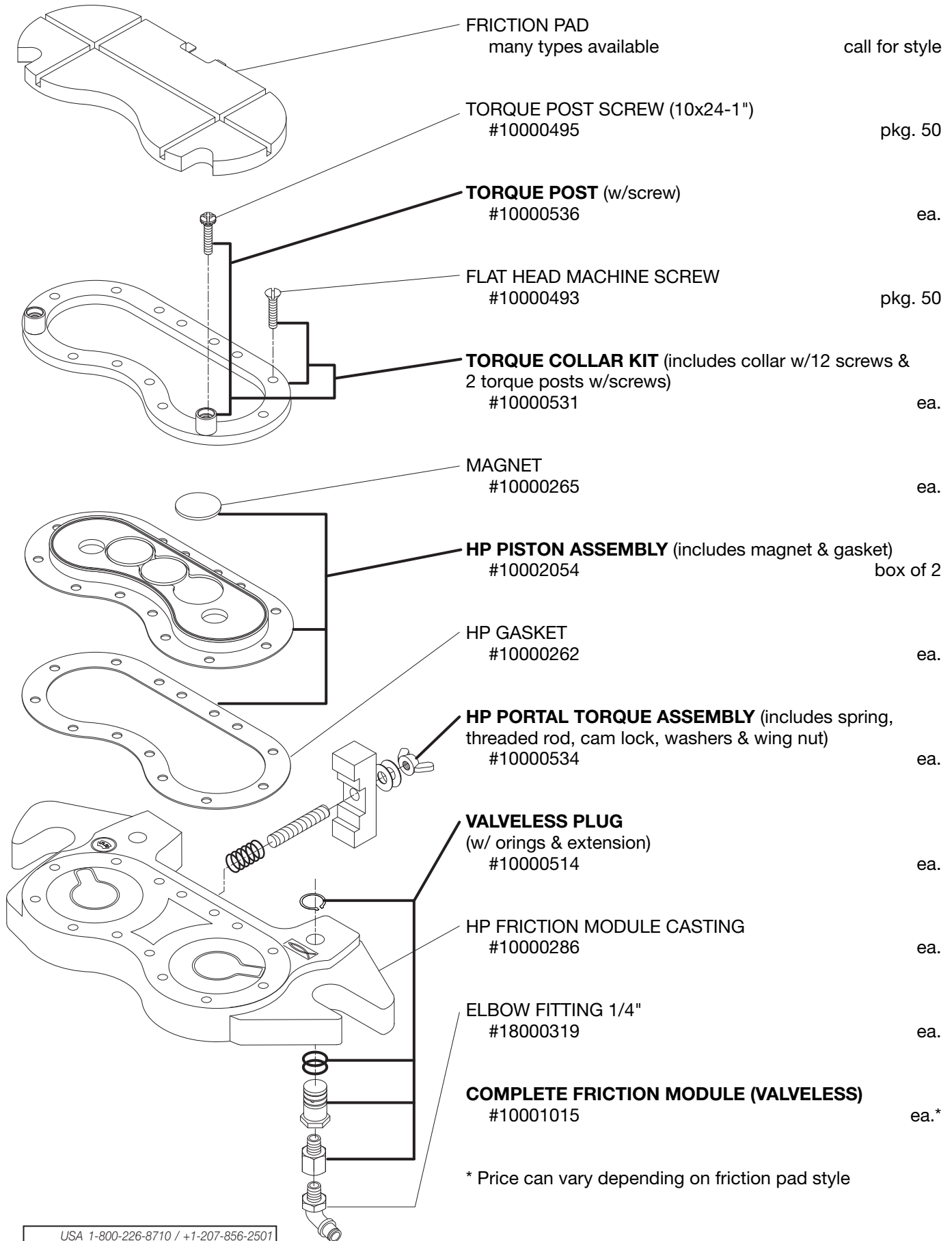
**montalvo**  
Better Web Control®



# PARTS

## HP Friction Module (VALVELESS)

03/01/2022-1

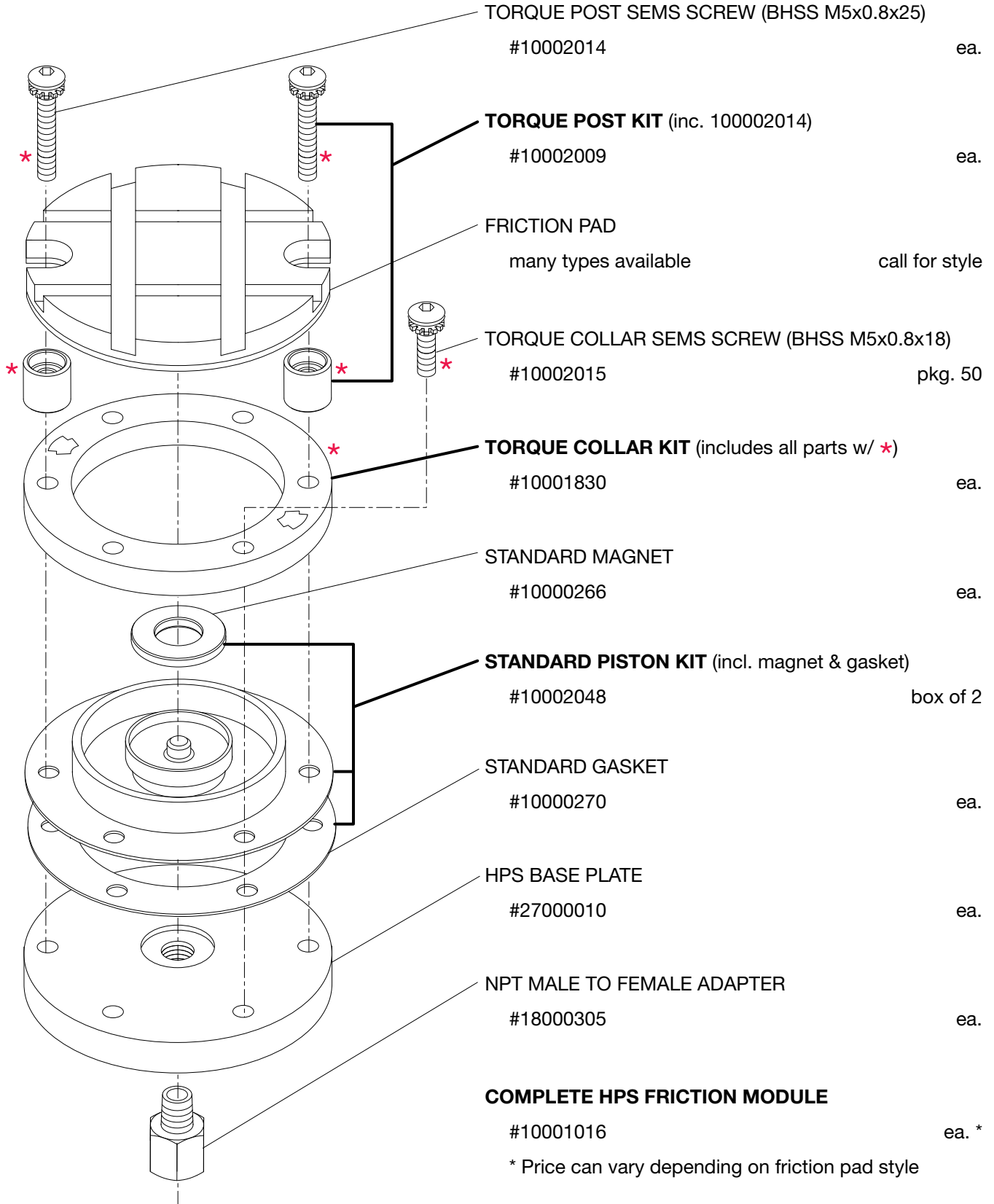


USA 1-800-226-8710 / +1-207-856-2501  
 CN +86-21-52188010  
 EU +45 75 57 27 11  
 DE +49 (0)511 760 691 41

Montalvo, 50 Hutcherson Drive, Gorham, Maine 04038 USA  
 info@montalvo.com www.montalvo.com  
 Prices and technical information subject to change without notice. © montalvo

EST. 1947

**montalvo**  
 Better Web Control®

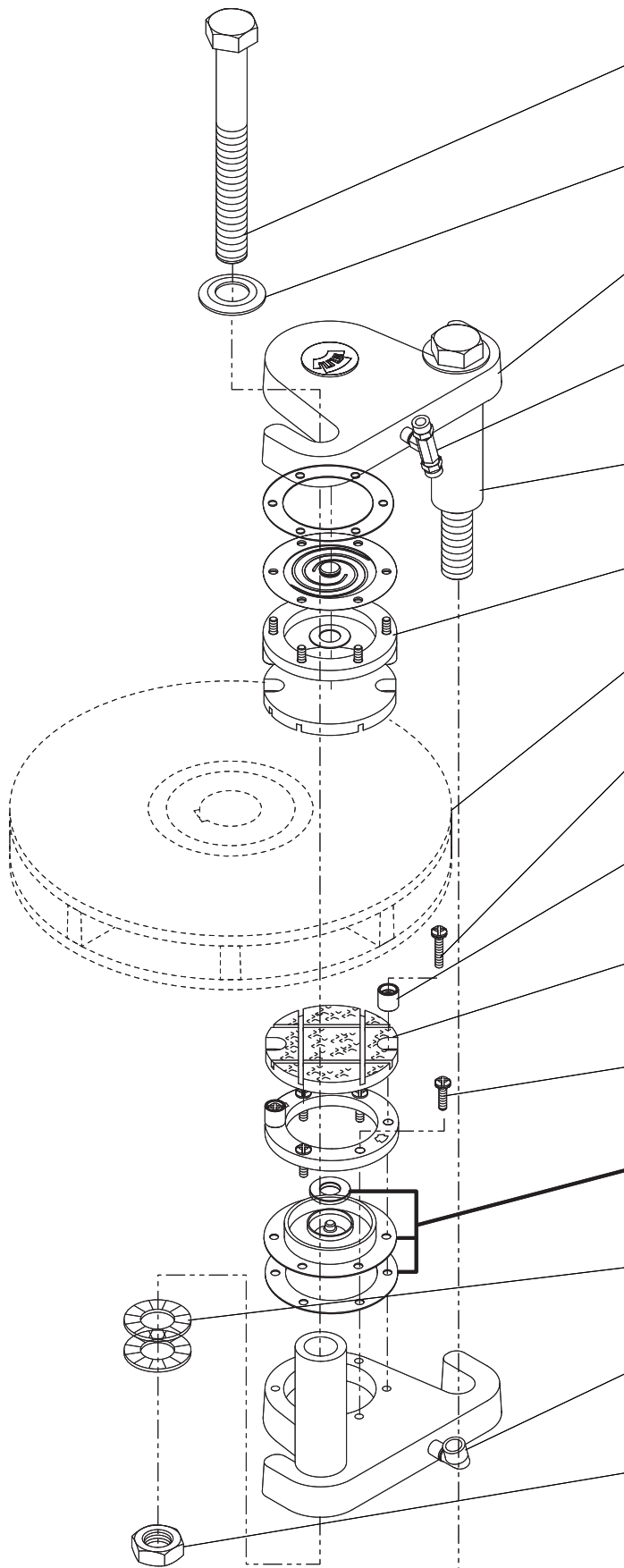


USA 1-800-226-8710 / +1-207-856-2501  
 CN +86-21-52188010  
 EU +45 75 57 27 11  
 DE +49 (0)511 760 691 41

# PARTS

## M-Caliper Friction Module

03/01/2022-1



3/4-10x7-1/2" HHCS #18000187	ea.
BELLVILLE WASHER 3/4" #18000135	ea.
M FRICTION MODULE CASTING #10501895	ea.
BRANCH TEE FITTING #18000344	ea.
SPACER #10000273	ea.
COLLAR #10000533	ea.
ROTOR Supplied by customer	ea.
10-24x3/4" SEM SCREW #10000496	bag of 50
TORQUE POST #10000536	\$ea.
FRICTION PAD Many types available	ea.*
10-24x1" SEM SCREW #10000495	bag of 50
<b>PISTON ASSEMBLY</b> (includes magnet and gasket) #10002048	box of 2
Camloc® WASHER 3/4" #18000127	ea.
ELBOW FITTING #18000319	ea.
3/4"-10 JAM NUT #18000072	ea.

\* Price can vary depending on friction pad style

USA 1-800-226-8710 / +1-207-856-2501  
 CN +86-21-52188010  
 EU +45 75 57 27 11  
 DE +49 (0)511 760 691 41

Montalvo, 50 Hutcherson Drive, Gorham, Maine 04038 USA  
 info@montalvo.com www.montalvo.com  
 Prices and technical information subject to change without notice. © montalvo

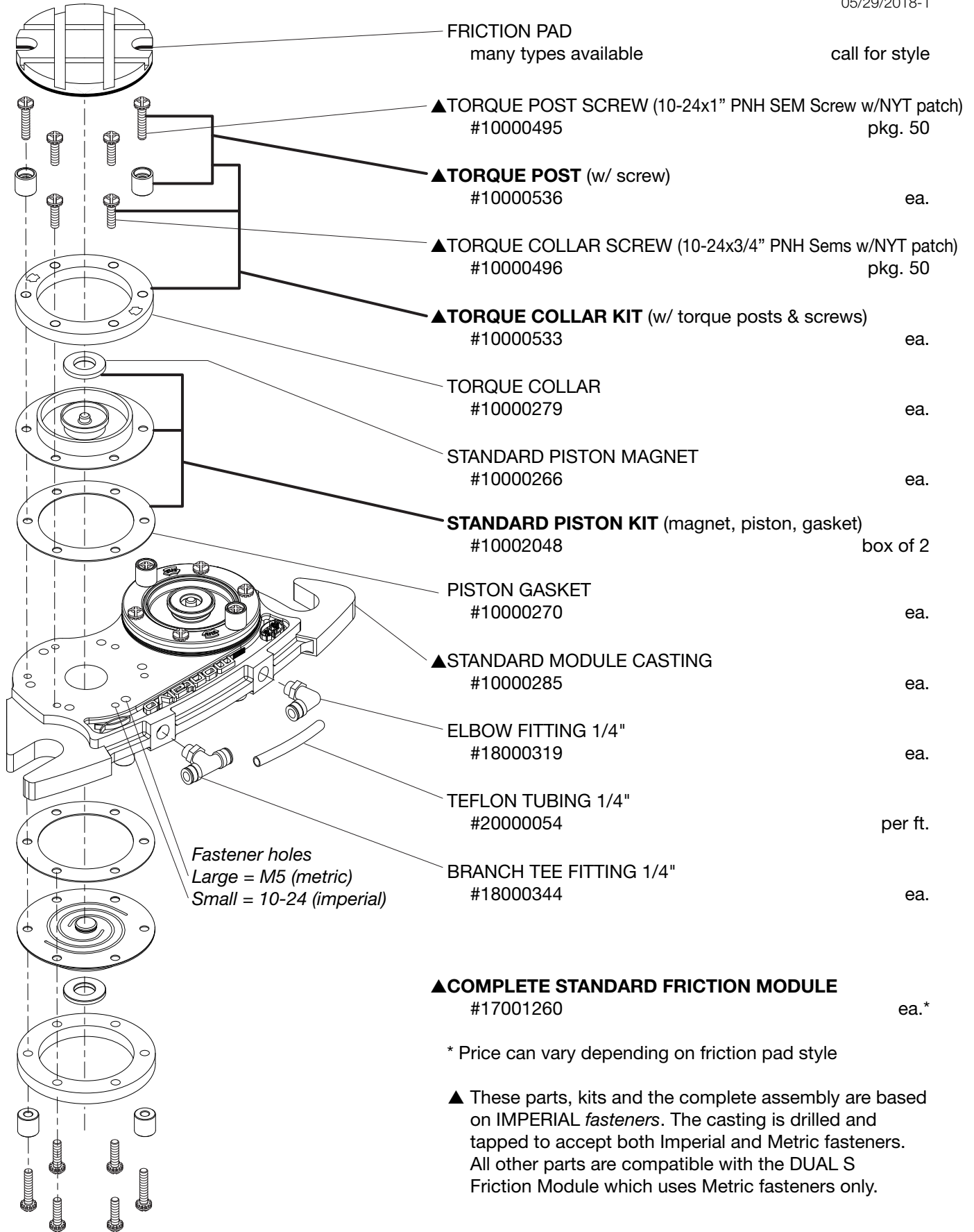
EST. 1947

**montalvo**  
 Better Web Control®

# PARTS

## STANDARD Friction Module

05/29/2018-1



USA 1-800-226-8710 / +1-207-856-2501  
CN +86-21-52188010  
EU +45 75 57 27 11  
DE +49 (0)511 760 691 41

Montalvo, 50 Hutcherson Drive, Gorham, Maine 04038 USA  
info@montalvo.com www.montalvo.com  
Prices and technical information subject to change without notice. © montalvo

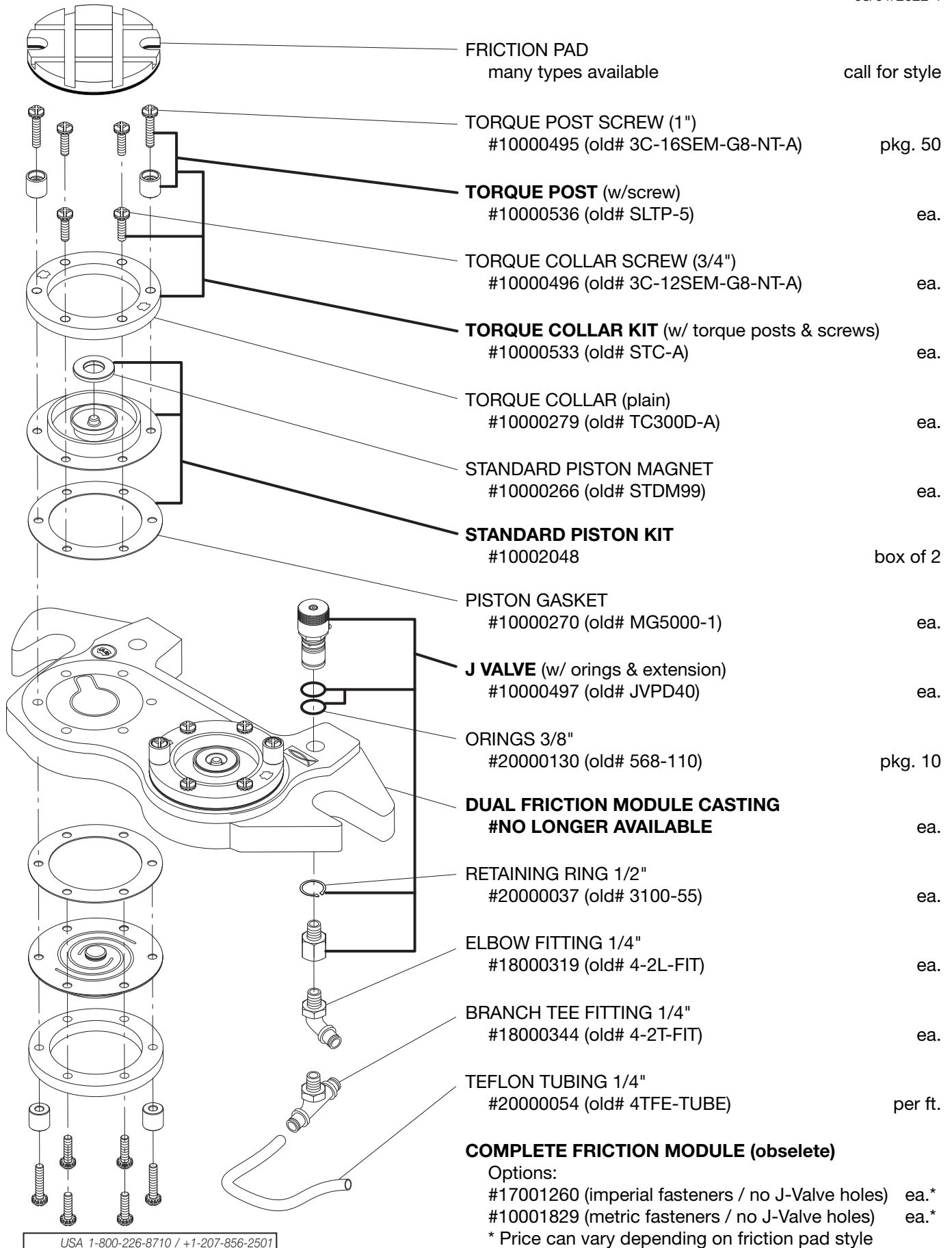
EST. 1947

**montalvo**  
Better Web Control®

# PARTS

## STANDARD Friction Module (OBSELETE VERSION)

03/01/2022-1

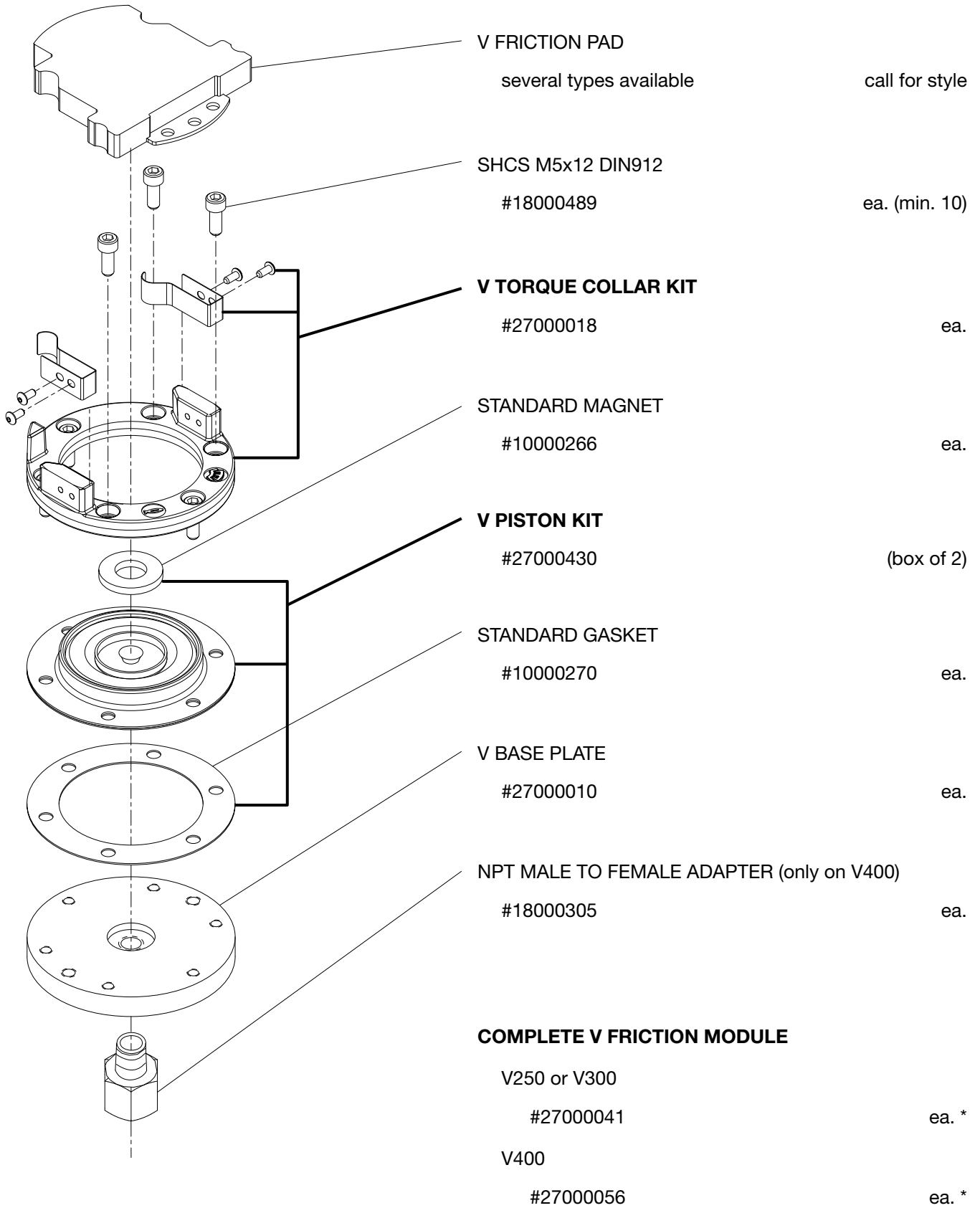


USA 1-800-226-8710 / +1-207-856-2501  
CN +86-21-52188010  
EU +45 75 57 27 11  
DE +49 (0)511 760 691 41

Montalvo, 50 Hutcherson Drive, Gorham, Maine 04038 USA  
info@montalvo.com www.montalvo.com  
Prices and technical information subject to change without notice. © montalvo

EST. 1947

**montalvo**  
Better Web Control®



\* Price can vary depending on friction pad style

USA 1-800-226-8710 / +1-207-856-2501  
CN +86-21-52188010  
EU +45 75 57 27 11  
DE +49 (0)511 760 691 41

Montalvo, 50 Hutcherson Drive, Gorham, Maine 04038 USA  
info@montalvo.com www.montalvo.com  
Prices and technical information subject to change without notice. © montalvo

EST. 1947

**montalvo**  
Better Web Control®